

# CMS100

## Card Reader User Guide



Thank you for choosing TOP VME



# Table Of Contents

---

1. Introduction.....	1
1-1. Overview.....	1
1-2. Features.....	1
2. Specification.....	2
2-1. General.....	2
2-2. Electrical.....	2
2-3. Machine.....	2
3. Packing List.....	3
4. Dimension.....	4
5. Installation Notes.....	5
5-1. Desktop installation.....	5
5-2. Metal bracket installation.....	6
6. Harness Application.....	8
7. Instructions.....	12
7-1. Setting and display components.....	12
7-2. Functional mode.....	13
7-3. Display description.....	13
8. Software download.....	14
9. Troubleshooting.....	15

## 1. Introduction

### 1-1. Overview

The CMS System can help reduce up to 70% of labour cost, all customers young and old can easily operate the unit.

This unit will also help with the daily audits and prevent miscalculations on all balances.

Easy to install and use; no extra wires or connections between devices, keeping a clean and easy workspace.

### 1-2. Features

1. High security
2. two signal modes compatible with a large variety of gaming consoles
3. Instantly connect multiple devices for easy management

## 2. Specification

2-1. General	
Interface	RS232/PULSE
Installation	Indoor
Card Type	Compliant with ISO 7816 contact smart card

2-3. Electrical	
Power Source	12V DC
Power Consumption	Standby: 1.2~1.3 W Operation Current: 2.1 W Maximum: 2.3 W
Temperature Range	Operating Temperature: 0° C~60° C Storage Temperature: -10° ~80° C Humidity: 20~70% RH (no condensation)

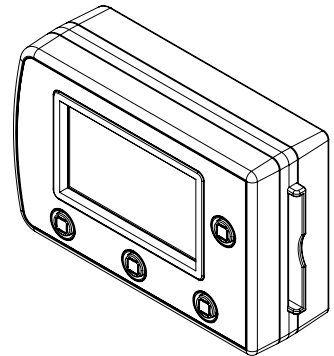
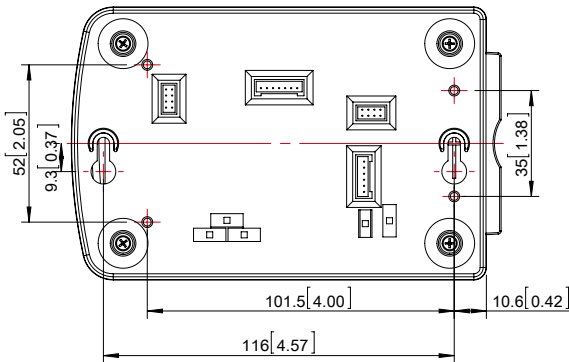
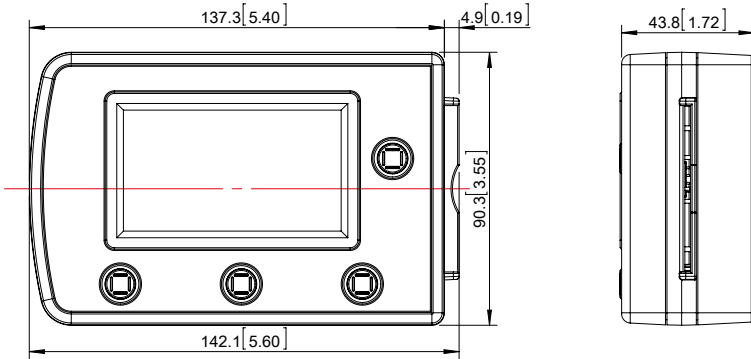
2-4. Machine	
Weight	310±10g
Outline Dimension	142 x 91 x 44 mm
Display	71 x 39 mm

## 3. Packing List

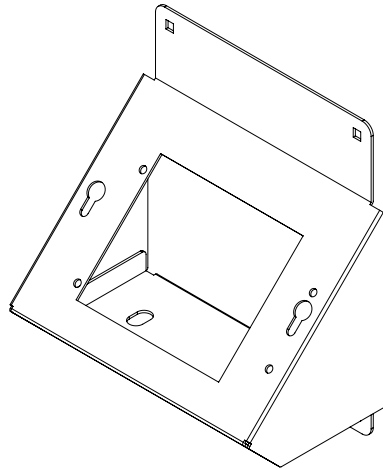
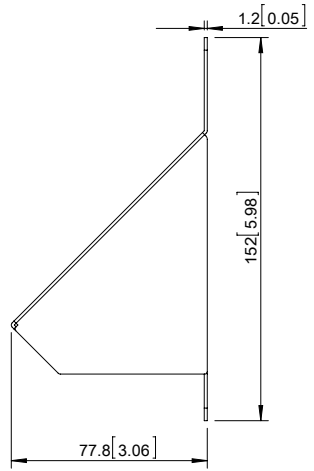
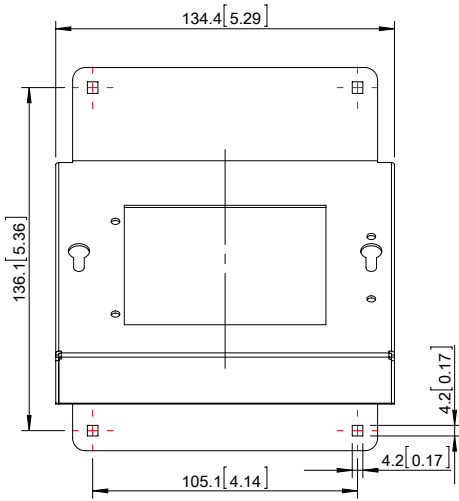
Main	Cms100
Accessories	User Guide
	Harness (Please refer to P.8)
	Screw set
	Mounting bracket (purchase)

## 4. Dimension Unit:mm [inch]

- CMS100 Dimension



• Mounting bracket Dimension

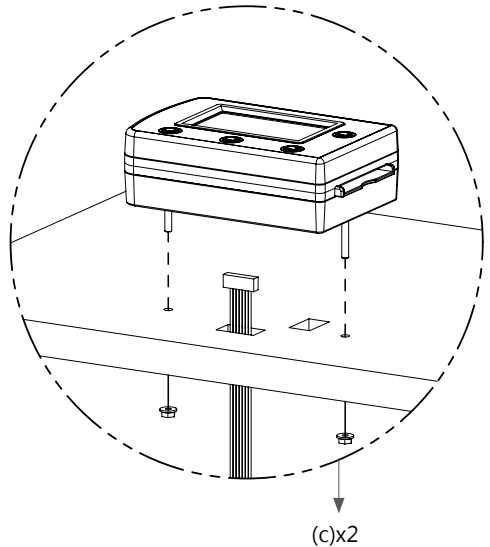
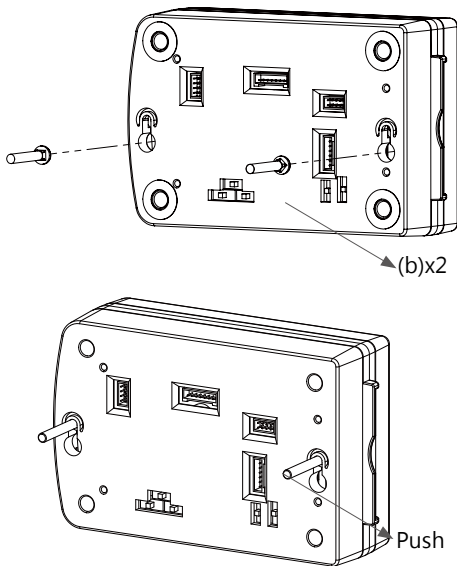


## 5. Installation Notes

### 5-1. Desktop installation

Installation method:

1. Paste the stencil to the location you want to install.
2. Drill holes according to the marked positions.
3. Place the carriage screws (b) in the CMS100.
4. Connect the wire the CMS100.
5. Place the screw(b) into the drilling position and lock the unit into palce from underneath with the provided nuts(c).

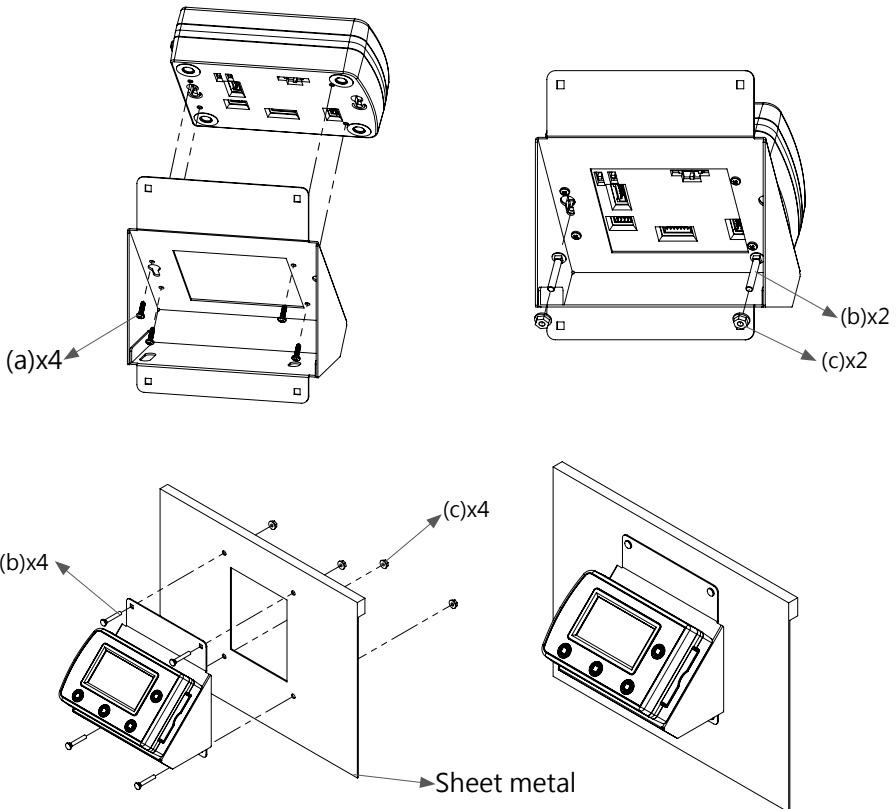




## 5-2. Metal bracket installation

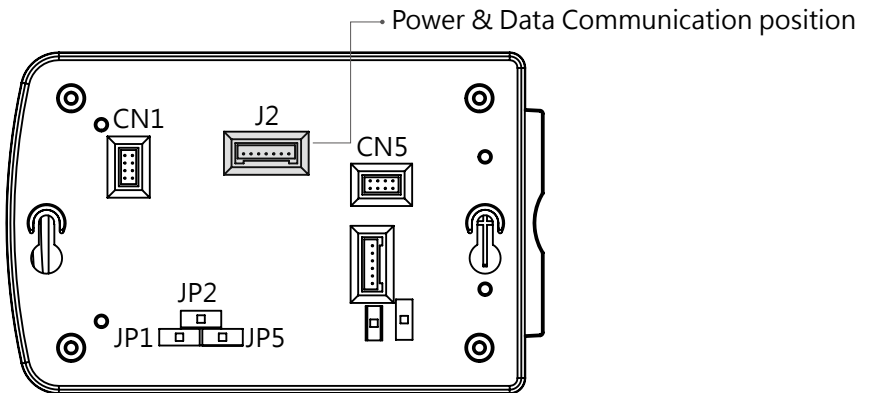
Installation method:

1. Lock the self-tapping screws (a) into the bracket and secure the CMS100, do not loosen the screws. (top left)
2. Place the carriage screw (b) into the CMS100 and look down with the nut (c) so that it is not loose. (top right)
3. Drill holes in the desired position according to the stencil.
4. Connect the required wire.
5. Use screws (b) to secure the metal bracket to the machine and lock with nuts (c) .



## 6. Harness Application

Interface	Voltage	Usage	Harness NO.	Page
	12VDC	Power & Data Communication	2WIR-CMS1000A-00	9



Wiring instructions :

CN1: Main board upgrade F/W connector.

CN5: Second board upgrade F/W connector.

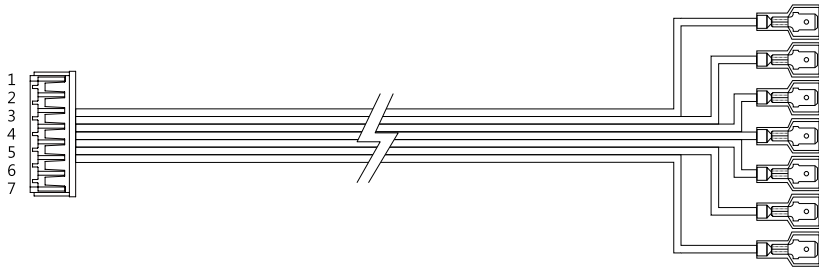
JP1(KEY IN) = L:NO , R:NC

JP2(TICKET) = L:NO , R:NC

JP5(Reserved) = L:NO ,R:NC

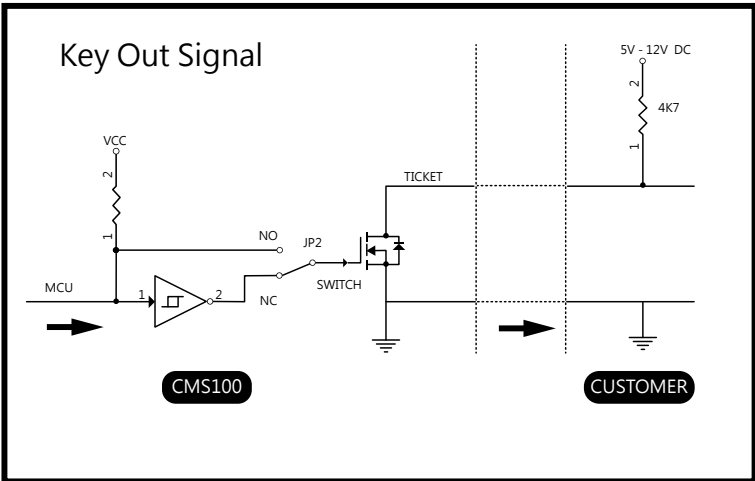
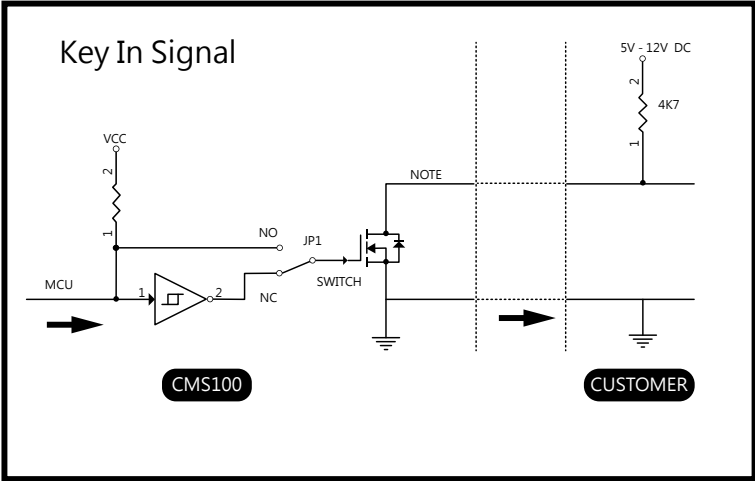
# HARNESS FORMAT

2WIR-CMS1000A-00

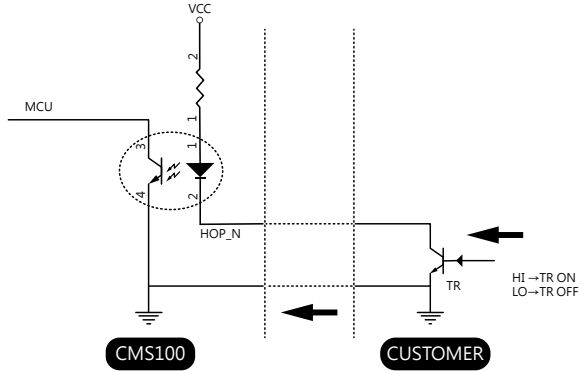


PIN NO	COLOR	PIN DEFINE
PIN1	BLACK	GND
PIN2	BROWN	NOTE
PIN3	GREEN	PAY+
PIN4	ORANGE	TICKET
PIN5	YELLOW	HOP_N
PIN6	RED	+12V DC
PIN7	BLUE	PAY-

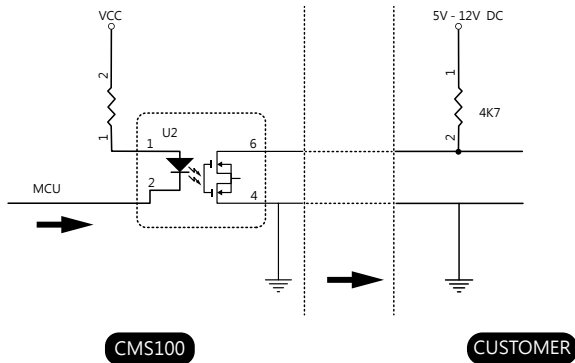
**Topvme**



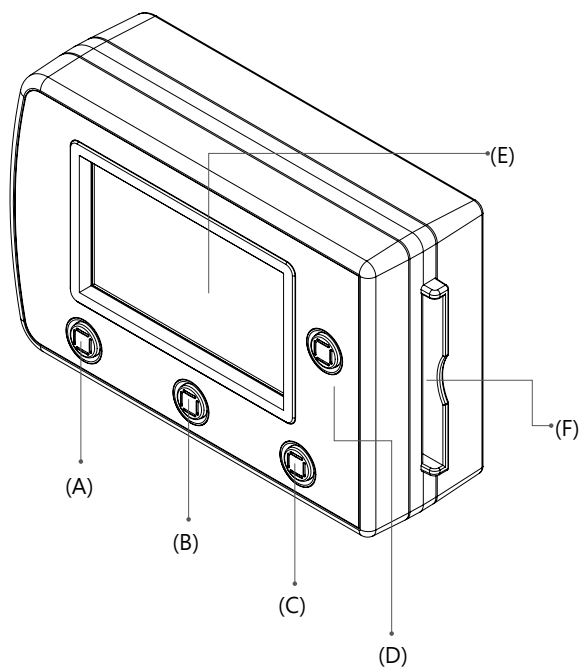
### Key Out SYNC Signal



### Key Out Notify Signal



## 7. Operation Instruction



### 7-1. Setting and display components

(A) Yellow button: Key out, Down

(B) Blue button: Bet ok

(C) Green button: Key in, UP

(D) Red button: Call manager

(E) Display screen

(F) Card location

## 7-2. Functional mode

### 7-2-1. General mode:

Normally boot into normal mode.

### 7-2-2. Channel setting :

Press the yellow button and reboot to enter this mode, the RF communication channel has 0~31 channels to select. After entering the mode, use the yellow and green buttons to select the channel, and the blue button to confirm .

### 7-2-3. Information:

Press the blue button and reboot to enter this mode to access the device number and program version number.

### 7-2-4. Signal setting mode:

Press the green button and reboot to enter this mode, Use the yellow and green buttons to select between pulse or hopper mode, and the blue button to confirm .

### 7-2-5. RFID setting:

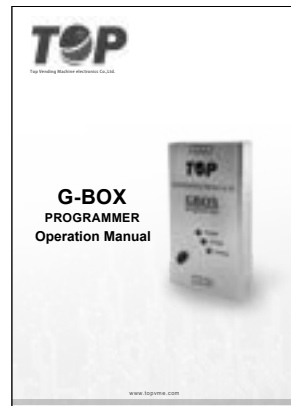
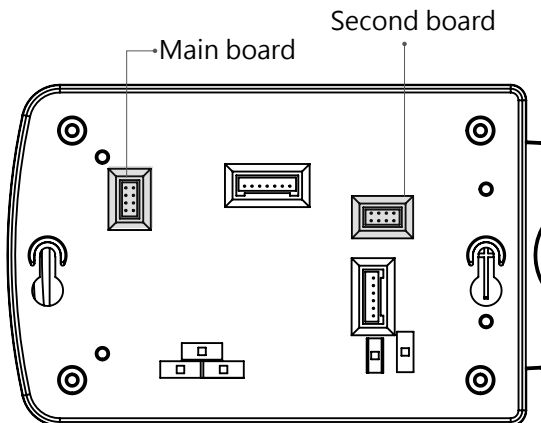
Press the red button and reboot to enter this mode. Use the yellow button to select, and the blue button to confirm.

## 7-3. Display description

Display	Narrative
Credit	Card balance
Rate	Key in rate :1 、 10 、 All
Play	Key in value
★	Hopper Mode 、 Normal communication
☆	Hopper Mode 、 No communication
●	PulseMode 、 Normal communication
○	Pulse Mode 、 No communication
CH(0~31)	RF channel

## 8. Software download

Please refer to the G-BOX instruction manual for the download manual. You can obtain it from your local agent or contact us at the [service@topvme.com.tw](mailto:service@topvme.com.tw).



G-BOX Maunal



## 9. Troubleshooting

Display	Narrative	Correrctive measure
Value error No communication	No communication	Check the RF channel and device number
Card reader Err	Card reader error	Contact us



**If the error can not be solved after corrective actions or happen again, please contact TOP for technical support.**

## Operational Description

Tx Standby	1. CMS100 power on.
	2. Waiting for the command of controller.
Link	1. CMS100 sends the command to controller.
	2. Communication with controller continuously.

## FCC Notices

15.21:

The user manual for an intentional or unintentional radiator shall caution the user that changes or modifications not expressly approved by the party responsible for compliance could void the user's authority to operate the equipment.

NOTE: THE GRANTEE IS NOT RESPONSIBLE FOR ANY CHANGES OR MODIFICATIONS NOT EXPRESSLY APPROVED BY THE PARTY RESPONSIBLE FOR COMPLIANCE. SUCH MODIFICATIONS COULD VOID THE USER'S AUTHORITY TO OPERATE THE EQUIPMENT.

15.105(b):

NOTE: This equipment has been tested and found to comply with the limits for a Class B digital device, pursuant to part 15 of the FCC Rules. These limits are designed to provide reasonable protection against harmful interference in a residential installation. This equipment generates uses and can radiate radio frequency energy and, if not installed and used in accordance with the instructions, may cause harmful interference to radio communications. However, there is no guarantee that interference will not occur in a particular installation. If this equipment does cause harmful interference to radio or television reception, which can be determined by turning the equipment off and on, the user is encouraged to try to correct the interference by one or more of the following measures:

- Reorient or relocate the receiving antenna.
- Increase the separation between the equipment and receiver.
- Connect the equipment into an outlet on a circuit different from that to which the receiver is connected.
- Consult the dealer or an experienced radio/TV technician for help.

THIS DEVICE COMPLIES WITH PART 15 OF THE FCC RULES. OPERATION IS SUBJECT TO THE FOLLOWING TWO CONDITIONS: (1) THIS DEVICE AYNOT CAUSE HARMFUL INTERFERENCE, AND (2) THIS DEVICE MUST ACCEPT ANY INTERFERENCE RECEIVED, INCLUDING INTERFERENCE THATMAY CAUSE UNDESIREED OPERATION.



Top Vending Machine Electronics Co., Ltd.

NO.11, Anzhong St., Luzhu Dist., Taoyuan City338, Taiwan, (R.O.C.)

Phone : +886-3-3115969 · Fax : +886-3-3115970

E-mail : [sales@topvme.com.tw](mailto:sales@topvme.com.tw)

Website : [www.topvme.com](http://www.topvme.com)

NO. 4007-CMS1000001



Top Vending Machine Electronics Co., Ltd.



[WWW.TOPVME.COM](http://WWW.TOPVME.COM)

